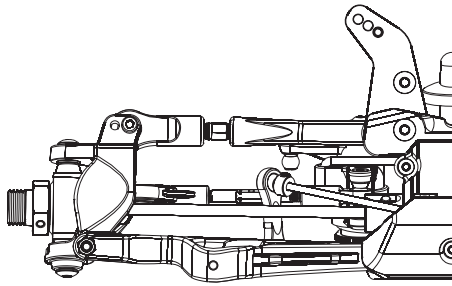


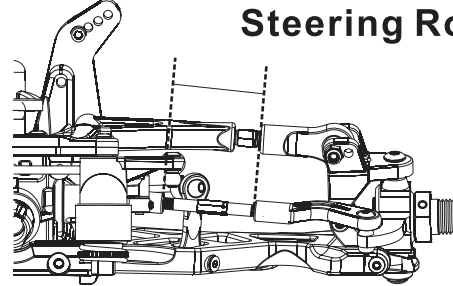
Length: Front width: Rear width: Wheelbase: Height: Weight:

Engine Type:	Diff.Oil Front:Grease	Clutch bell 13T <input type="checkbox"/> 14T <input checked="" type="checkbox"/> other:
Gasket:	Center:Grease	Spur gear
Plug:	Rear:Grease	40T <input checked="" type="checkbox"/> other:
Fuel:		

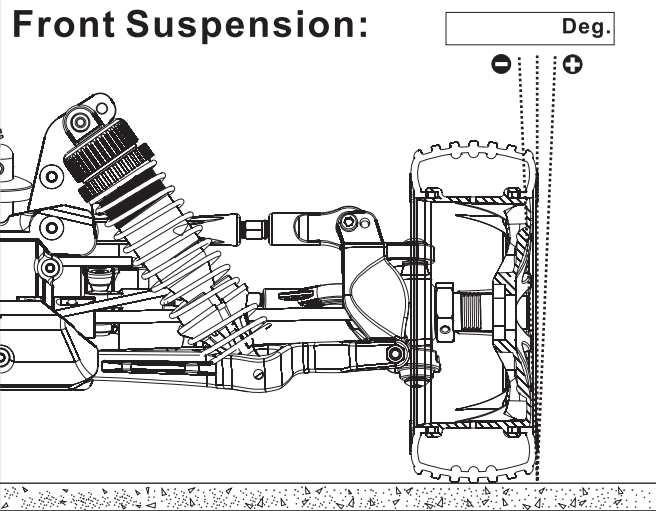
Front Arms:



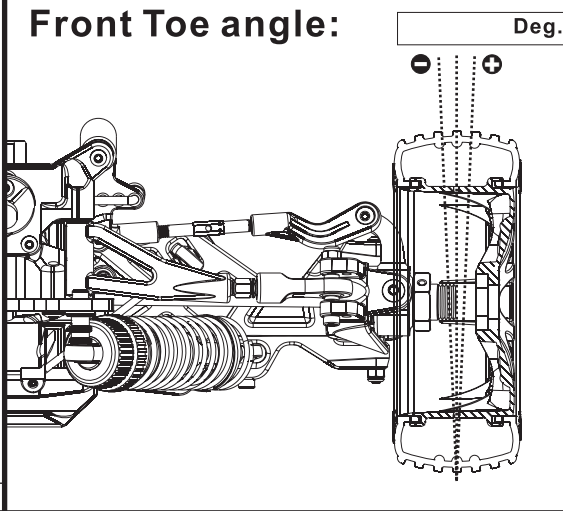
Steering Rod:



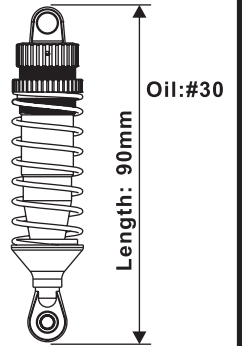
Front Suspension:



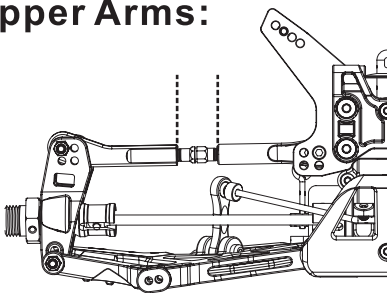
Front Toe angle:



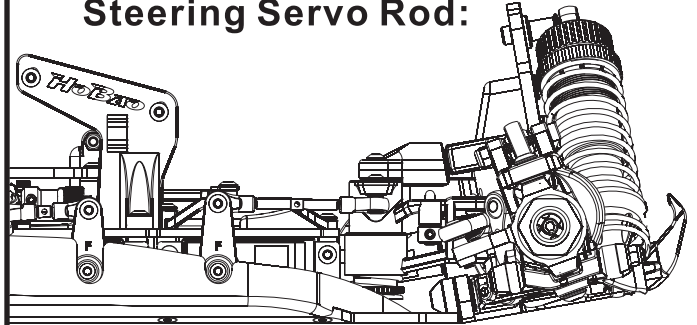
Front Shock:



Rear Front Upper Arms:



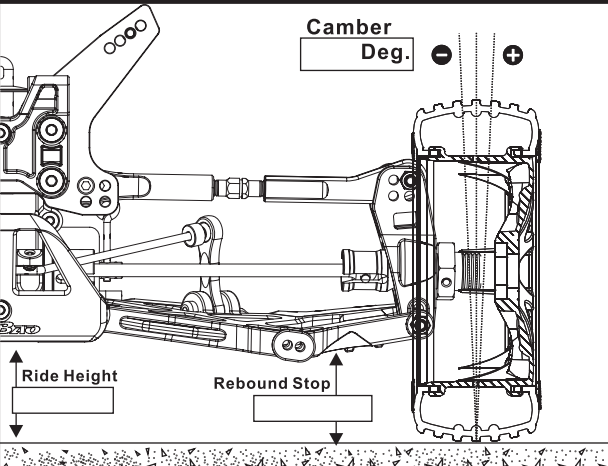
Steering Servo Rod:



Camber

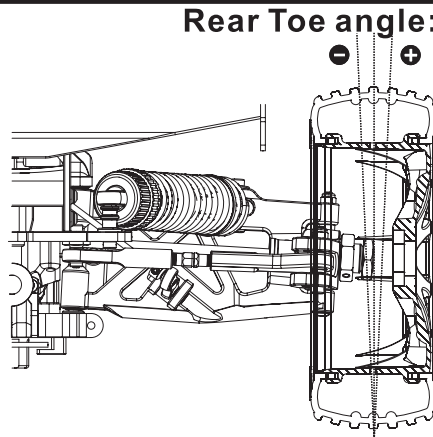
Deg.

- +



Rear Toe angle:

- +



Rear Shock:

